

SELF-PROPELLED SCISSOR LIFTS

GS™-2668 RT & GS™-3268 RT



Specifications

MODELS	GS™-2668 RT		GS™-3268 RT	
MEASUREMENTS	US	Metric	US	Metric
Working height maximum*	32 ft	9.75 m	38 ft	11.60 m
A Platform height maximum	26 ft	7.92 m	32 ft	9.75 m
B Platform height - stowed	3 ft 10.75 in	1.19 m	4 ft 3.75 in	1.31 m
C Platform length - outside	8 ft 3 in	2.51 m	8 ft 3 in	2.51 m
extended	13 ft	3.96 m	13 ft	3.96 m
Slide-out platform extension deck	5 ft	1.52 m	5 ft	1.52 m
D Platform width - outside	5 ft 1 in	1.55 m	5 ft 1 in	1.55 m
Toeboard height	6 in	.15 m	6 in	.15 m
E Height - stowed**	7 ft 7.5 in	2.27 m	8 ft 5 in	2.45 m
rails lowered	5 ft 7 in	1.70 m	6 ft	1.83 m
F Length - stowed	8 ft 9 in	2.67 m	8 ft 9 in	2.67 m
platform extended	13 ft 9 in	4.19 m	13 ft 9 in	4.19 m
with outriggers	11 ft 3 in	3.38 m	11 ft 3 in	3.38 m
G Width	5 ft 8 in	1.73 m	5 ft 8 in	1.73 m
H Wheelbase	6 ft 1 in	1.85 m	6 ft 1 in	1.85 m
I Ground clearance - center	8 in	.20 m	8 in	.20 m

PRODUCTIVITY

Maximum platform occupancy***	4	4	4	4
Lift capacity	1,250 lbs	567 kg	1,000 lbs	454 kg
Extension deck capacity	300 lbs	136 kg	300 lbs	136 kg
Drive speed - stowed	3.8 mph	6.1 km/h	3.8 mph	6.1 km/h
Drive speed - raised	0.5 mph	0.8 km/h	0.5 mph	0.8 km/h
Gradeability - stowed****	35%		30%	
Maximum outrigger leveling:				
front to back	6.6°		6.6°	
side to side	10.6°		10.6°	
Turning radius - inside	5 ft	1.52 m	5 ft	1.52 m
Turning radius - outside	12 ft 1 in	3.68 m	12 ft 1 in	3.68 m
Raise/lower speed	30/35 sec		40/37 sec	
Controls	proportional		proportional	
Drive	four wheel		four wheel	
Tires - rough terrain	12 x 23.5 in	30 x 60 cm	12 x 23.5 in	30 x 60 cm

POWER

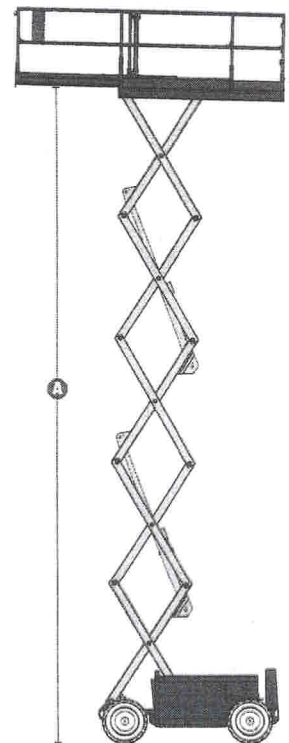
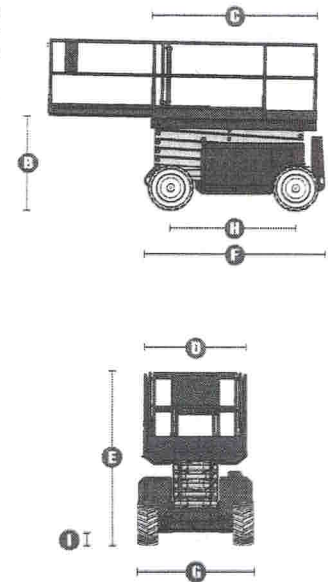
Power source	Kubota DF-752 gas/LPG 22 hp Kubota D-1105 Diesel 24.9 hp Perkins 403D-11 Diesel 26 hp	Kubota DF-752 gas/LPG 22 hp Kubota D-1105 Diesel 24.9 hp Perkins 403D-11 Diesel 26 hp
Fuel tank capacity	15 gal 56.8 L	15 gal 56.8 L
Hydraulic system capacity	16.5 gal 62.5 L	16.5 gal 62.5 L

WEIGHT*****

	6,737 lbs	3,056 kg	8,084 lbs	3,667 kg
with outriggers	7,801 lbs	3,538 kg	9,148 lbs	4,149 kg

STANDARDS COMPLIANCE

ANSI A92.6, CSA B354.2, CE Compliance, AS 1418.10



* The metric equivalent of working height adds 2 m to platform height. U.S. adds 6 ft to platform height.

** Based on RT tires; deduct 2 in (5.8 cm) for turf and non-marking tires.

*** CE/AUS markets: GS-3268 limited to 2 person platform occupancy when used outdoors.

**** Gradeability applies to driving on slopes. Gradeability may vary depending on the weight of options installed on machine. See operator's manual for details regarding slope ratings.

***** Weight varies depending on options and country standards.